

# TRITON T-DAM FILTER™



## Product Specification

## TRENCH DRAIN FILTER INSERT

### T-DAM FILTER

- Non-reactive High Impact Polystyrene plastic construction with U.V. inhibitors.
- Exterior side constructed with Type 304 Stainless Steel.
- Filter Media-Pak available for the removal of hydrocarbons, metals, sand, silt, and litter.
- Filter Media-Pak is easily removed for ease of maintenance.
- Disposable Media-Pak is constructed from durable geo-textile polypropylene fabric.
- Media is nonhazardous, per EPA and OSHA standards.
- Patent Pending design with high nominal flow and high overflow capacities.
- Easy to install in new and existing trench drains.
- Meets Best Available Technology (BAT) for use in Stormwater Best Management Practices (BMP).
- Maintenance contracts, including recycling of all spent absorbents are available through REM Service Department.
- Servicing of filters on a regular basis is a requirement to meet most local and state BMP's.



MODEL TDAM12

### ***TRITON T-DAM TRENCH DRAIN FILTER INSERT***

REM has developed the TRITON T-DAM Trench Drain Filter Insert to help eliminate hydrocarbons and other contaminants such as metals, sand, silt and litter from stormwater runoff.

The TRITON T-DAM is designed to be inserted below the grate of trench drain inlets, and is a easy and cost effective solution to filtering your trench drains

### **Patent Pending**

### **REM - HELPING KEEP YOUR WATERWAYS CLEAN**

*The most recent National Water Quality Inventory reports that runoff from urban areas is the leading source of impairments to surveyed estuaries and the third largest source of water quality impairments to surveyed lakes. In addition, population and development trends indicate that by 2010 more than half of the Nation will live in coastal towns and cities. Runoff from these rapidly growing urban areas will continue to degrade coastal waters.<sup>1</sup>*

<sup>1</sup>Environmental Protection Agency's Office of Water EPA841-F-96-004G

**Revel Environmental Manufacturing, Inc.**

[www.remfilters.com](http://www.remfilters.com)

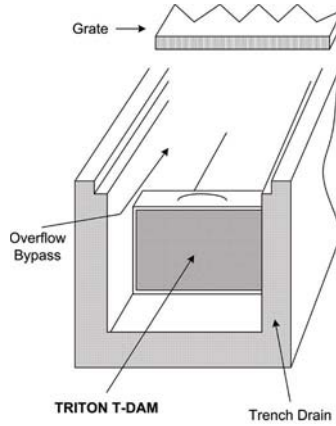
888-526-4736



# TRITON T-DAM TRENCH DRAIN FILTER™



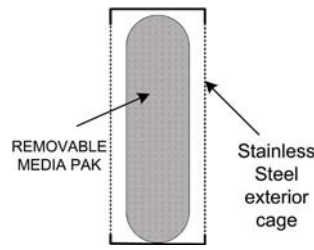
T-DAM INSTALLED



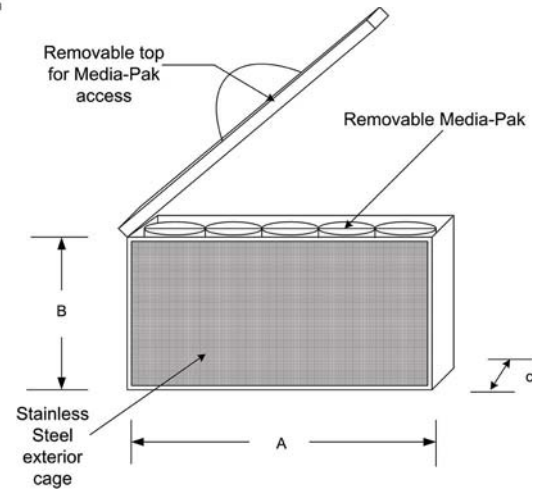
INSTALLED VIEW



T-DAM INSTALLED



END VIEW



## STANDARD DIMENSIONS

MODEL*	A	B**	C
<b>TDAM5</b>	4.5"	5.5"	1.5"
<b>TDAM6</b>	5.5"	5.5"	1.5"
<b>TDAM8</b>	7.5"	5.5"	1.5"
<b>TDAM10</b>	9.5"	5.5"	1.5"
<b>TDAM12</b>	11.5"	5.5"	1.5"
<b>TDAM15</b>	14.5"	5.5"	1.5"
<b>TDAM18</b>	17.5"	5.5"	1.5"
<b>TDAM20</b>	19.5"	5.5"	1.5"
<b>TDAM24</b>	23.5"	5.5"	1.5"

note:

\* Many other sizes are also available.

\*\* Dimension "B" (height) can be customized as needed.

## NOTES:

1. T-DAMs can be customized to be adaptable to the many different types of trench drains available today.
2. T-DAM external cage shall be made of .162 diameter, 8 gauge Type 304 stainless steel.
3. Top cap is made of High Impact Polystyrene Plastic with U.V. inhibitors added.
4. Filter Media-Paks are easily removed from units for easy maintenance.
5. Filter design requires storm events to be filtered through Media-Pak. This prevents flows from bypassing Media-Pak, which filters out hydrocarbons and other pollutants.
6. Media-Paks can be customized for different removal needs.
7. The disposable Media-Pak is constructed from durable geo-textile polypropylene fabric.
8. Filter Media is non-hazardous per EPA and OSHA standards.
9. Please refer to manufacture's recommendations for an approved maintenance program.

## Distributed By:

South Bay Foundry  
 phone: 619-956-2780  
 fax: 619-956-2788  
<http://www.southbayfoundry.com>



## Revel Environmental Manufacturing Inc.

sales@remfilters.com (888) 526-4736 Lic. No. 857410

Northern California  
 960-B Detroit Avenue  
 Concord, California 94518  
 P: (925) 676-4736  
 F: (925) 676-8676

Southern California  
 2110 South Grand Avenue  
 Santa Ana, California 92705  
 P: (714) 557-2676  
 F: (714) 557-2679